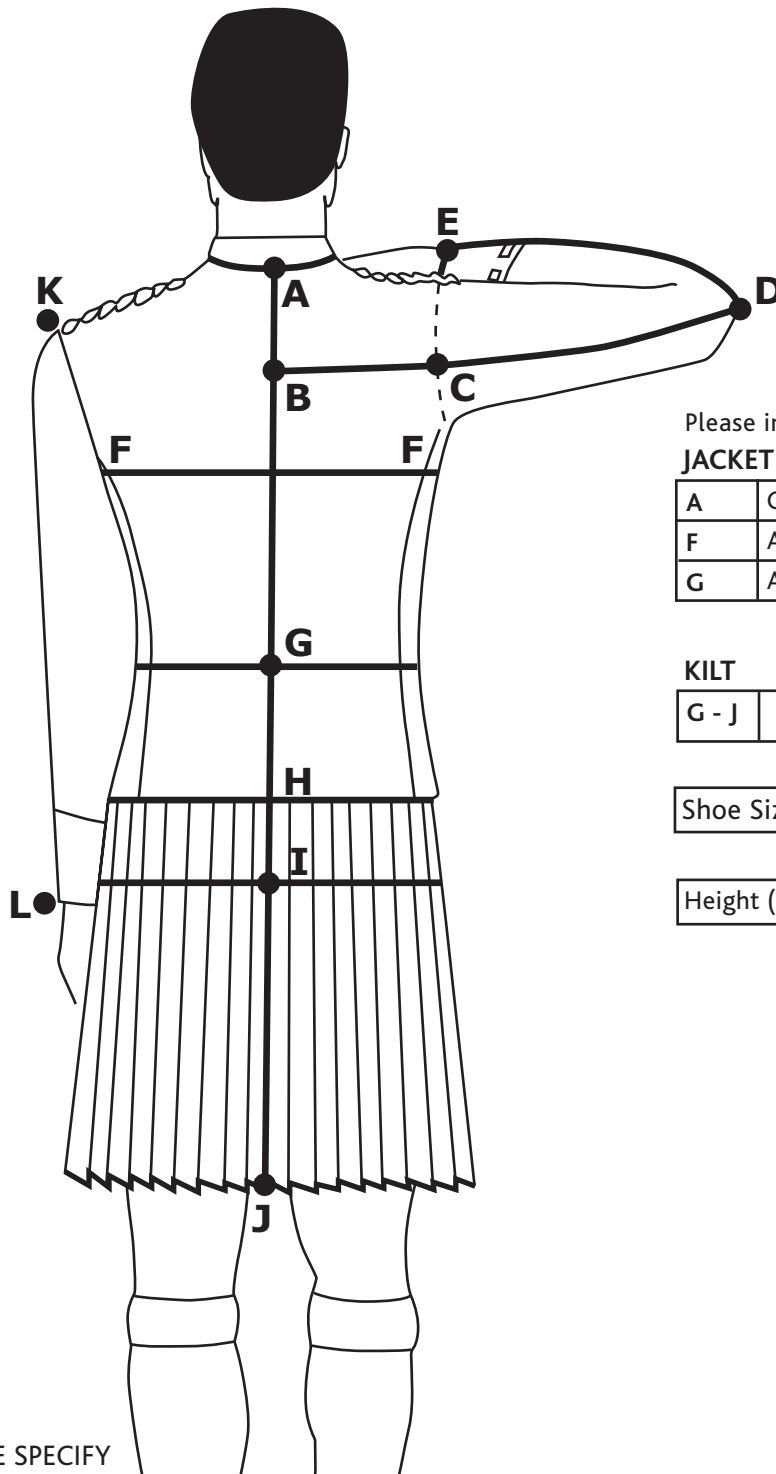


For Formal and Informal Hire, complete all measurements and fax to Rob Roy on 086 602 7818 in S.A and 2786 602 7818 Overseas or e-mail sharyn@robroy.co.za



Please insert measurements in inches or Centimeters

JACKET and SHIRT

A	Collar	
F	Around Chest	
G	Around Waist	

KILT

G - J	Kilt Length	
-------	-------------	--

Shoe Size (SA or UK only)	
---------------------------	--

Height (Head to Toe)	
----------------------	--

PLEASE SPECIFY

Tartan Name	
Client Name:	
Order Ref.:	Date of Hire:
Contact Number:	E-Mail Address: