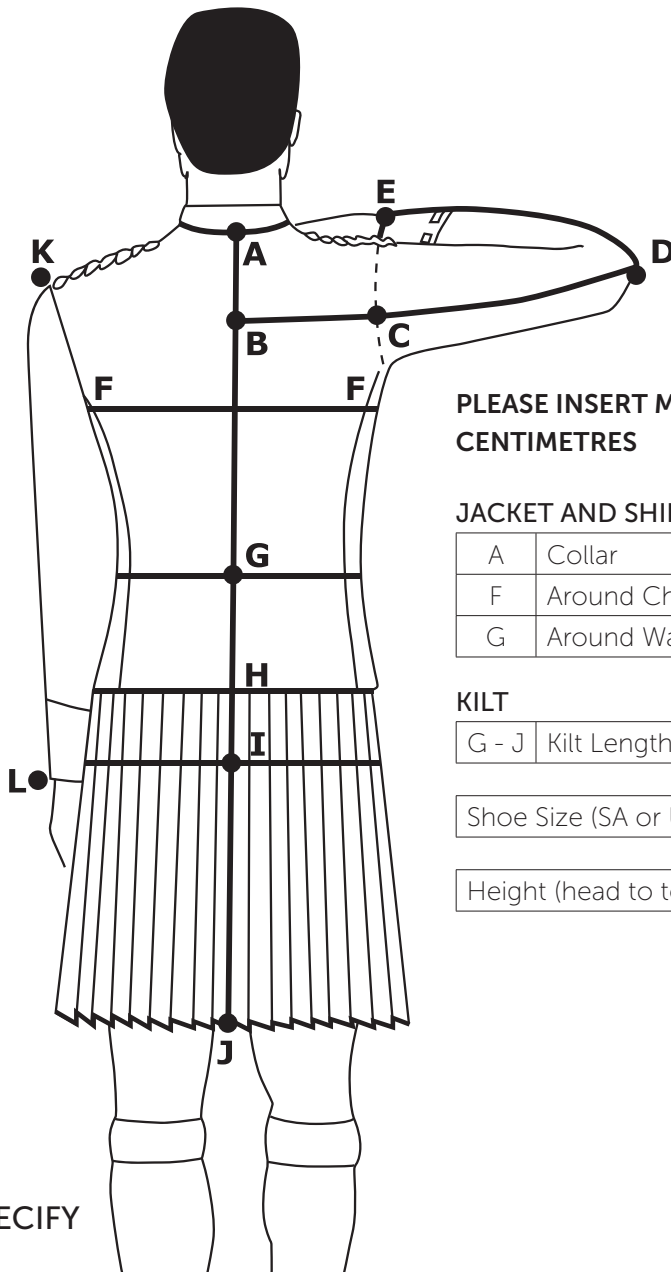


# ROB ROY

## SCOTTISH HIRE & SUPPLIES

### FOR FORMAL AND INFORMAL PURCHASE

Complete all measurements and fax to Rob Roy on 086 602 7818 in S.A and  
+27 (0)86 602 7818 Overseas or e-mail sharyn@robroy.co.za



PLEASE INSERT MEASUREMENTS IN INCHES OR CENTIMETRES

#### JACKET AND SHIRT

A	Collar	
F	Around Chest	
G	Around Waist	

#### KILT

G - J	Kilt Length	
-------	-------------	--

Shoe Size (SA or UK only):	
----------------------------	--

Height (head to toe):	
-----------------------	--

PLEASE SPECIFY

Tartan Name:			
Client Name:			
Order Ref:		Date of Order:	
Contact Number:		Email Address:	

Tel: +27 (0)11 782 7744 | Fax: 086 602 7818 | Mobile: +27 (0)82 889 3098 | Email: sharyn@robroy.co.za

Room 118, 1st Floor, Impala Centre, Cnr Beyers Naude Drive & Hocky Ave, Northcliff

[WWW.ROBROY.CO.ZA](http://WWW.ROBROY.CO.ZA)